

# Manual Cyclone SM300



Translation

**Retsch**<sup>®</sup>

### **Copyright**

© Copyright by  
Retsch GmbH  
Haan, Retsch-Allee 1-5  
D-42781 Haan  
Federal Republic of Germany

<b>1</b>	<b>Notes on the Operating Manual</b> .....	<b>4</b>
1.1	Explanations of the safety warnings .....	5
1.2	General safety instructions .....	6
1.3	Repairs.....	7
<b>2</b>	<b>Confirmation</b> .....	<b>8</b>
<b>3</b>	<b>Assembling and using the cyclone</b> .....	<b>9</b>
3.1	Cyclone assembly.....	9
3.1.1	Inserting the wide mouth bottle adapter .....	13
<b>4</b>	<b>Disposal</b> .....	<b>14</b>
<b>5</b>	<b>Index</b> .....	<b>15</b>

## 1 Notes on the Operating Manual

This operating manual is a technical guide on how to operate the device safely and it contains all the information required for the areas specified in the table of contents. This technical documentation is a reference and instruction manual. The individual chapters are complete in themselves.

Familiarity (of the respective target groups defined according to area) with the relevant chapters is a precondition for the safe and appropriate use of the device.

This operating manual does not contain any repair instructions. If faults arise or repairs are necessary, please contact your supplier or get in touch with Retsch GmbH directly.

Application technology information relating to samples to be processed is not included but can be read on the Internet on the respective device's page at [www.retsch.com](http://www.retsch.com).

### Changes

Subject to technical changes.

### Copyright

Disclosure or reproduction of this documentation, use and disclosure of its contents are only permitted with the express permission of Retsch GmbH.

Infringements will result in damage compensation liability.

## 1.1 Explanations of the safety warnings

In this Operating Manual we give you the following safety warnings

---

**Serious injury** may result from failing to heed these safety warnings. We give you the following warnings and corresponding content.

---



### **WARNING**

#### **Type of danger / personal injury**

Source of danger

- Possible consequences if the dangers are not observed.
  - **Instructions on how the dangers are to be avoided.**
- 

We also use the following signal word box in the text or in the instructions on action to be taken:



### **WARNING**

---

**Moderate or mild injury** may result from failing to heed these safety warnings. We give you the following warnings and corresponding content.

---



### **CAUTION**

#### **Type of danger / personal injury**

Source of danger

- Possible consequences if the dangers are not observed.
  - **Instructions on how the dangers are to be avoided.**
- 

We also use the following signal word box in the text or in the instructions on action to be taken:



### **CAUTION**

---

In the event of possible **property damage** we inform you with the word “Instructions” and the corresponding content.

---

### **NOTICE**

#### **Nature of the property damage**

Source of property damage

- Possible consequences if the instructions are not observed.
  - **Instructions on how the dangers are to be avoided.**
- 

We also use the following signal word in the text or in the instructions on action to be taken:

**NOTICE**

## 1.2 General safety instructions

---

 **CAUTION**

**Read the Operating Manual**

Non-observance of these operating instructions

- The non-observance of these operating instructions can result in personal injuries.
- **Read the operating manual before using the device.**
- **We use the adjacent symbol to draw attention to the necessity of knowing the contents of this operating manual.**




---

**Target group :** All persons concerned with the machine in any form

This machine is a modern, high performance product from Retsch GmbH and complies with the state of the art. Operational safety is given if the machine is handled for the intended purpose and attention is given to this technical documentation.

You, as the owner/managing operator of the machine, must ensure that the people entrusted with working on the machine:

- have noted and understood all the regulations regarding safety,
- are familiar before starting work with all the operating instructions and specifications for the target group relevant for them,
- have easy access always to the technical documentation for this machine,
- and that new personnel before starting work on the machine are familiarised with the safe handling of the machine and its use for its intended purpose, either by verbal instructions from a competent person and/or by means of this technical documentation.

Improper operation can result in personal injuries and material damage. You are responsible for your own safety and that of your employees.

Make sure that no unauthorised person has access to the machine.

---

 **CAUTION**

**Changes to the machine**

- Changes to the machine may lead to personal injury.
- **Do not make any change to the machine and use spare parts and accessories that have been approved by Retsch exclusively.**

---

**NOTICE**

**Changes to the machine**

- The conformity declared by Retsch with the European Directives will lose its validity.
  - You lose all warranty claims.
  - **Do not make any change to the machine and use spare parts and accessories that have been approved by Retsch exclusively.**
-



## 2 Confirmation

This operating manual contains essential instructions for operating and maintaining the device which must be strictly observed. It is essential that they be read by the operator and by the qualified staff responsible for the device before the device is commissioned. This operating manual must be available and accessible at the place of use at all times.

The user of the device herewith confirms to the managing operator (owner) that (s)he has received sufficient instructions about the operation and maintenance of the system. The user has received the operating manual, has read and taken note of its contents and consequently has all the information required for safe operation and is sufficiently familiar with the device.

As the owner/managing operator you should for your own protection have your employees confirm that they have received the instructions about the operation of the machine.

I have read and taken note of the contents of all chapters in this operating manual as well as all safety instructions and warnings.

**User**

Surname, first name (block letters)

Position in the company

Signature

**Service technician or operator**

Surname, first name (block letters)

Position in the company

Place, date and signature



### 3 Assembling and using the cyclone

#### 3.1 Cyclone assembly

 **CAUTION**

1.V0014

**Injuries to limbs**  
Rotating blade

- Can cause injury to hands and feet.
- **Keep hands and feet away from the device openings when the device is switched on.**
- **Pull the plug out before cleaning or retrofitting.**



 **CAUTION**

2.V0001

**Risk of injury to fingers**  
Reaching into the turning rotor

- Unintended reaching into the grinding area and the turning rotor.
- **Never connect the device to the mains without the discharge flange.**
- **Only operate the device with discharge flange.**

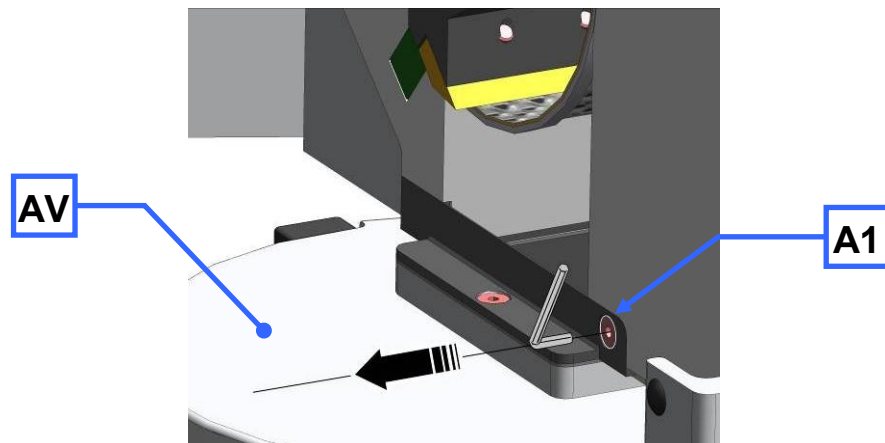


Fig. 1: Removing the discharge flange

- Disconnect the device from the mains.
- Loosen the screw (A1).
- Pull off the discharge flange (AV).

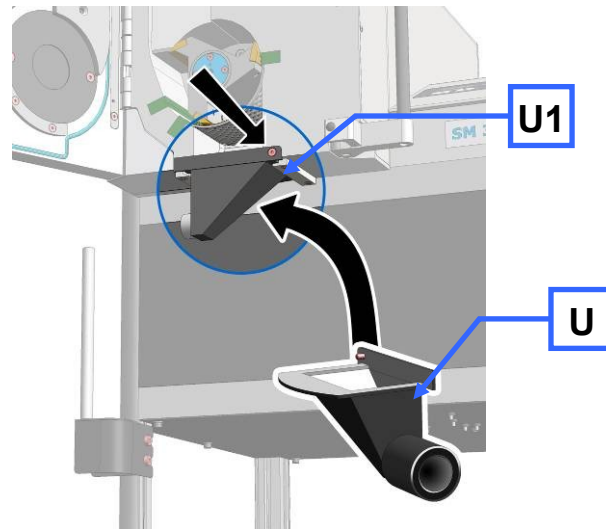


Fig. 2: Fastening the discharge flange

- Insert the retrofit dust removal (**U**).
- Tighten the screw (**U1**).

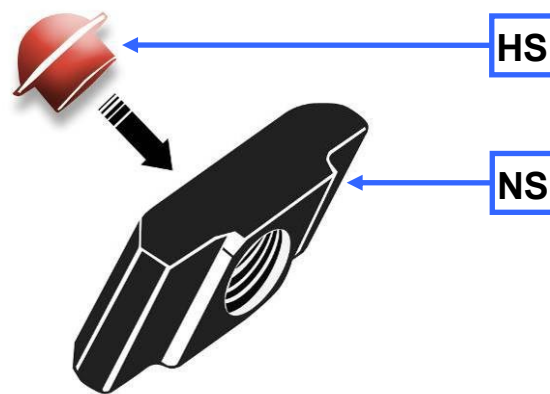


Fig. 3: Inserting the plug for the sliding block

- Insert the plug (**HS**) into the back (flat surface) of the sliding block (**NS**).

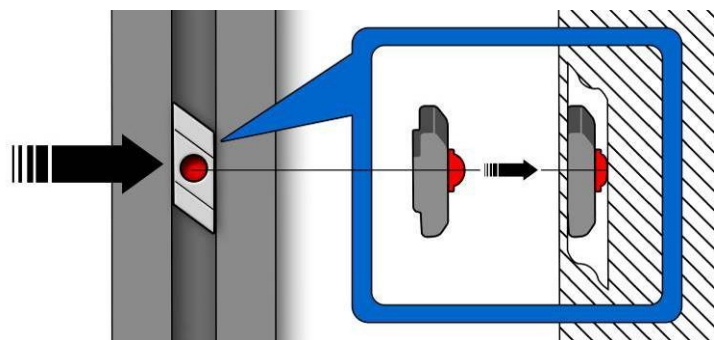


Fig. 4: Inserting the sliding block

- Guide the sliding block with plug into the aluminium profile.

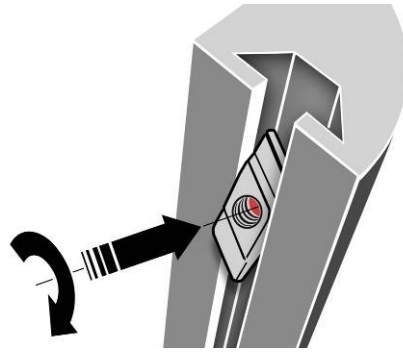


Fig. 5: Turning the sliding block

- Push in the sliding block against the resistance of the plug and turn the sliding block to the position indicated.
- Insert the second sliding block in the same way.

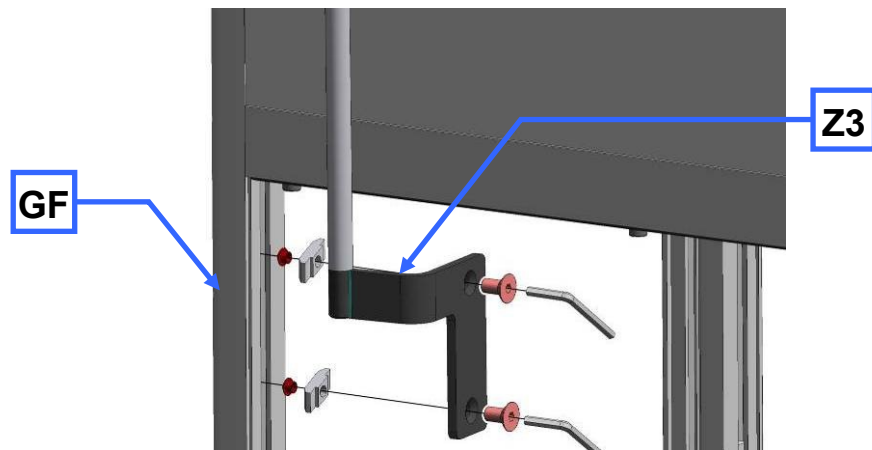


Fig. 6: Fastening the cyclone support

- Fasten the cyclone support (**Z3**) on the front left-hand leg of the housing (**GF**).

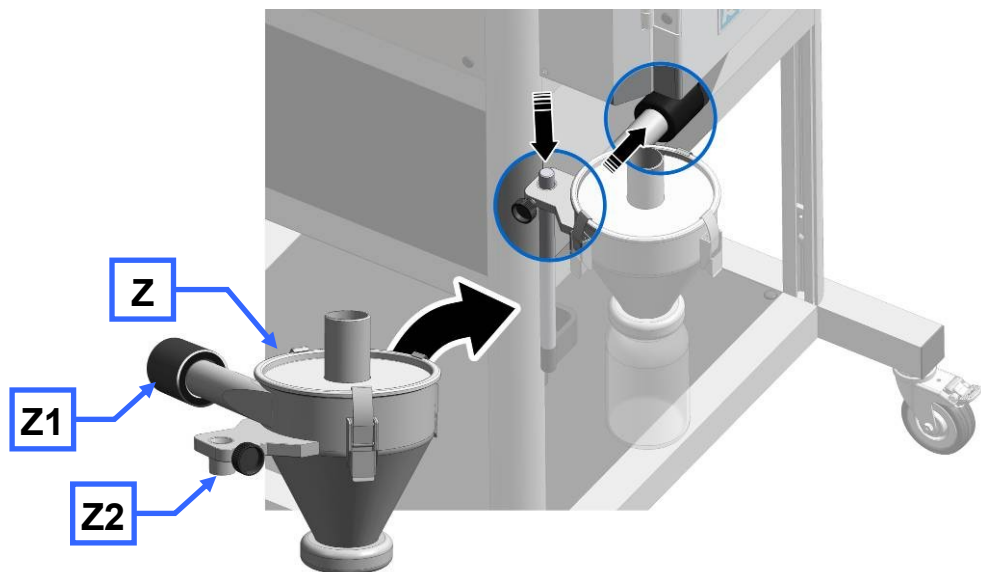


Fig. 7: Installing the cyclone

- Connect the cyclone (**Z2**) onto the rod of the stand on the cyclone support.

- Turn the side tube to the discharge flange and push the coupling (Z1) onto the adapters on the discharge flange.

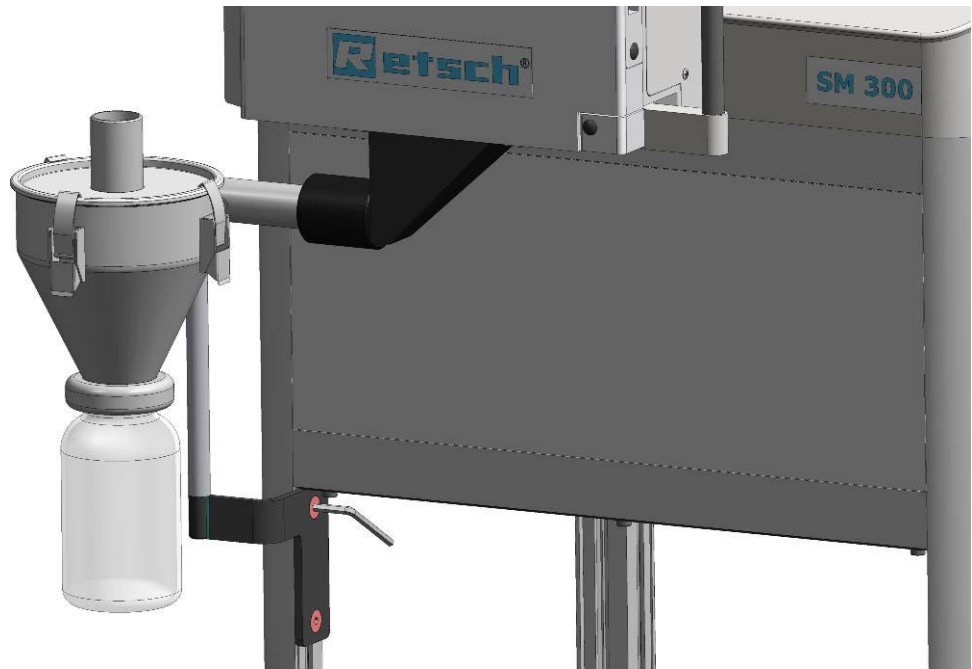


Fig. 8: Assembled cyclone

 **CAUTION**

Before using the industrial vacuum cleaning, read the operating instructions supplied with the vacuum cleaner.

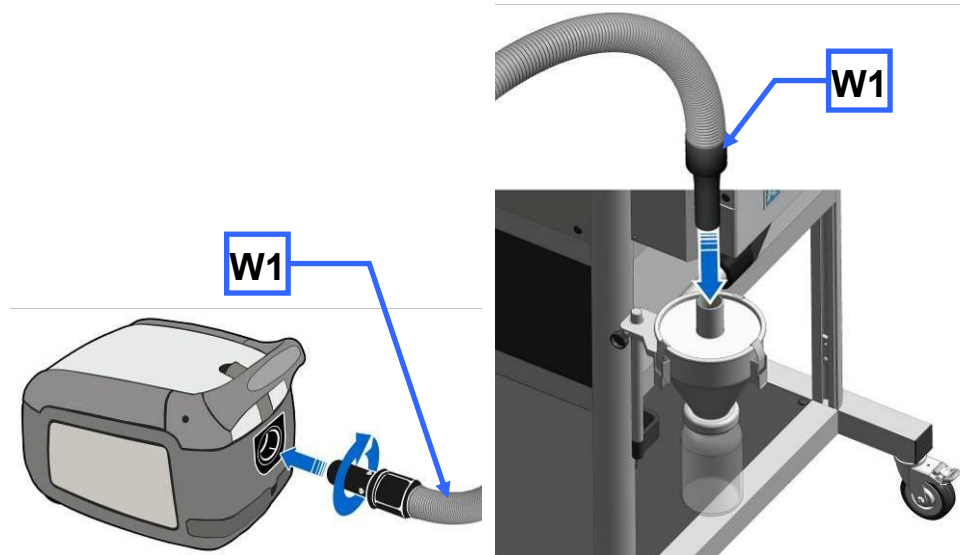


Fig. 9: Connecting the industrial vacuum cleaner

- Plug the connector for dust extraction (W1) into the top opening on the cyclone.

**3.1.1 Inserting the wide mouth bottle adapter**

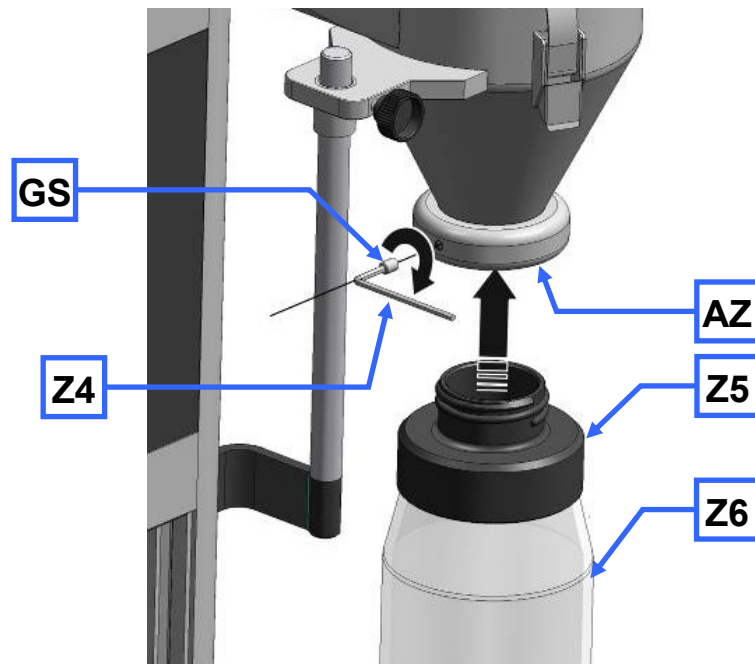


Fig. 10: Inserting the wide mouth bottle adapter

- Insert the adapter for wide mouth bottles (Z5) into the outlet opening of the cyclone (AZ) .
- Affix the adapter using the threaded pin (GS).
- Use a SW3 Allen key to screw in the threaded pin (Z4).

This avoids the adapter turning when the wide mouth bottles are screwed in and out.

You can use 1l, 2l and 5l wide mouth bottles.

## 4 Disposal

Please observe the respective statutory requirements with respect to disposal.

Information on disposal of electrical and electronic machines in the European Community.

Within the European Community the disposal of electrically operated devices is regulated by national provisions that are based on the EU Directive 2002/96/EC on Waste Electrical and Electronic Equipment (WEEE).

Accordingly, all machines supplied after 13.08.2005 in the business-to-business area to which this product is classified, may no longer be disposed of with municipal or household waste. To document this they have the following label:

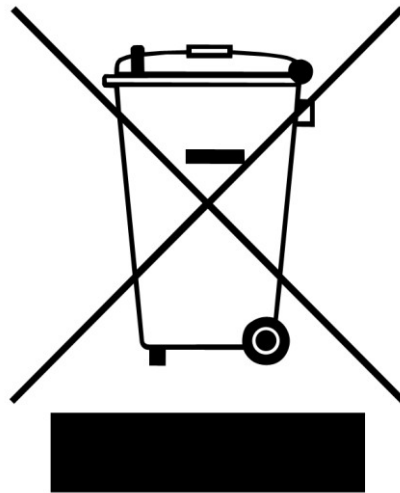


Fig. 11: Disposal label

Since the disposal regulations within the EU may differ from country to country we would request you to consult your supplier.

## 5 Index

<b>A</b>			
Assembling and using the cyclone .....	8		
<b>C</b>			
Changes .....	4		
Confirmation .....	8		
Connecting the industrial vacuum cleaner.....	12		
Copyright .....	4		
Cyclone assembly.....	8		
<b>D</b>			
Disposal .....	14		
Disposal label .....	14		
<b>E</b>			
Explanations of the safety warnings .....	5		
<b>F</b>			
Fastening the cyclone support.....	11		
Fastening the discharge flange .....	10		
<b>G</b>			
General safety instructions .....	6		
<b>I</b>			
Inserting the sliding block .....	10		
		Inserting the wide mouth bottle adapter.....	13
		Installing the cyclone.....	11
		<b>M</b>	
		Moderate or mild injury .....	5
		<b>N</b>	
		Notes on the Operating Manual.....	4
		<b>P</b>	
		Plug.....	10
		property damage.....	5
		<b>R</b>	
		Removing the discharge flange .....	9
		Repairs.....	7
		<b>S</b>	
		Safety warnings .....	5
		serious injury.....	5
		Service Address.....	7
		Sliding block.....	10
		<b>T</b>	
		Target group .....	6
		Turning the sliding block .....	11













**Copyright**

® Copyright by  
Retsch GmbH  
Haan, Retsch-Allee 1-5  
D-42781 Haan  
Federal Republic of Germany